

**Large Format Tile Ventilator Range - System Overview**

CODE GTV

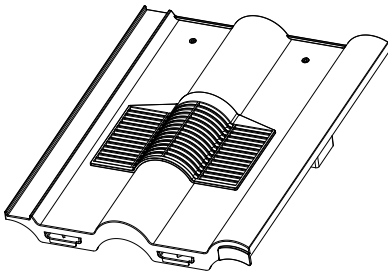
**Description**

The Manthorpe range of large format in-line tile ventilators are designed to provide roof space ventilation or act as an outlet for ventilation ducting through 17" x 13" concrete roof tile coverings. The range of six profiles are universal in design and are compatible with all major UK and Irish tile makes.

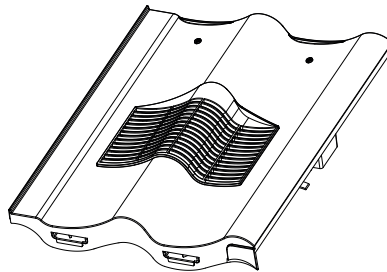
The tortured path and in line design gives a discreet, weather proof 10,000 mm<sup>2</sup> airflow path through the roof with the recommended 4mm spaced grill openings to prevent the entry of debris and large nesting insects.

Available in a range of five\* colours to suit most tile types, the vents are quick and easy to install, taking the place of a single tile with no need to cut the battens.

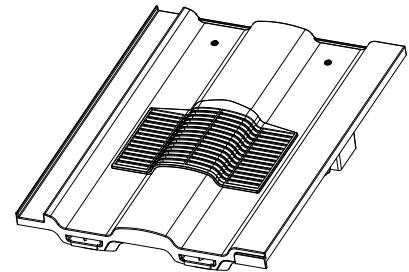
When used for mechanical extraction or soil stack / vent pipe termination; the GTV-AD Flexi Pipe Adaptor and GRPA Flexible Pipe range should be used. For detailed fitting instructions see MBP-0875, and for mechanical extraction fitting details see MBP-8297.



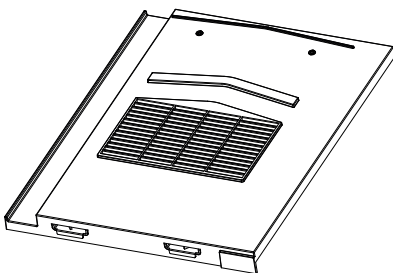
**Double Roman**  
Code: GTV-DR



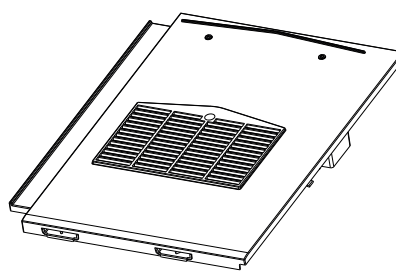
**Double Pantile**  
Code: GTV-DP



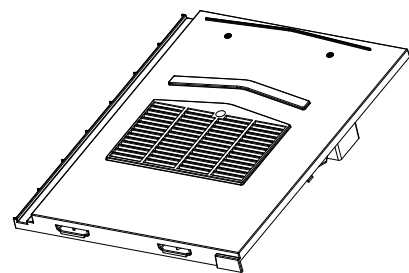
**Castellated**  
Code: GTV-CS



**Non-Profile**  
Code: GTV-NP



**Thin Leading Edge**  
Code: GTV-TE



**Flat Edge**  
Code: GTV-FE

<b>Materials - Top</b>	PVC
<b>Base</b>	Polypropylene
<b>Colours</b>	Terracotta, Grey, Brown, Antique Red & Anthracite Black
<b>Free Airflow</b>	10,000 mm <sup>2</sup> per unit

\* Anthracite Black colour only available with GTV-NP, GTV-FE and GTV-TE vents

MANTHORPE BUILDING PRODUCTS LTD  
MANTHORPE HOUSE  
BRITAIN DRIVE  
CODNOR GATE BUSINESS PARK  
RIPLEY  
DERBYSHIRE DE5 3ND

TEL: 01773 303 000  
FAX: 01773 303 300  
EMAIL:  
mbp.care@manthorpebp.co.uk  
WEB  
www.manthorpebp.co.uk

DRN B.H. Date 19.06.19  
The company maintains a policy of continuous development of its product range and reserves the right to amend the specification without notice.

DRG No  
**MBP 8292**

Issue  
**D**  
(1 of 2)

**Large Format Tile Ventilator Range - System Overview**

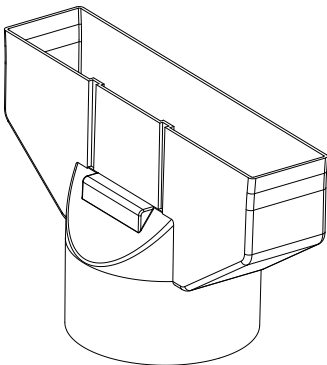
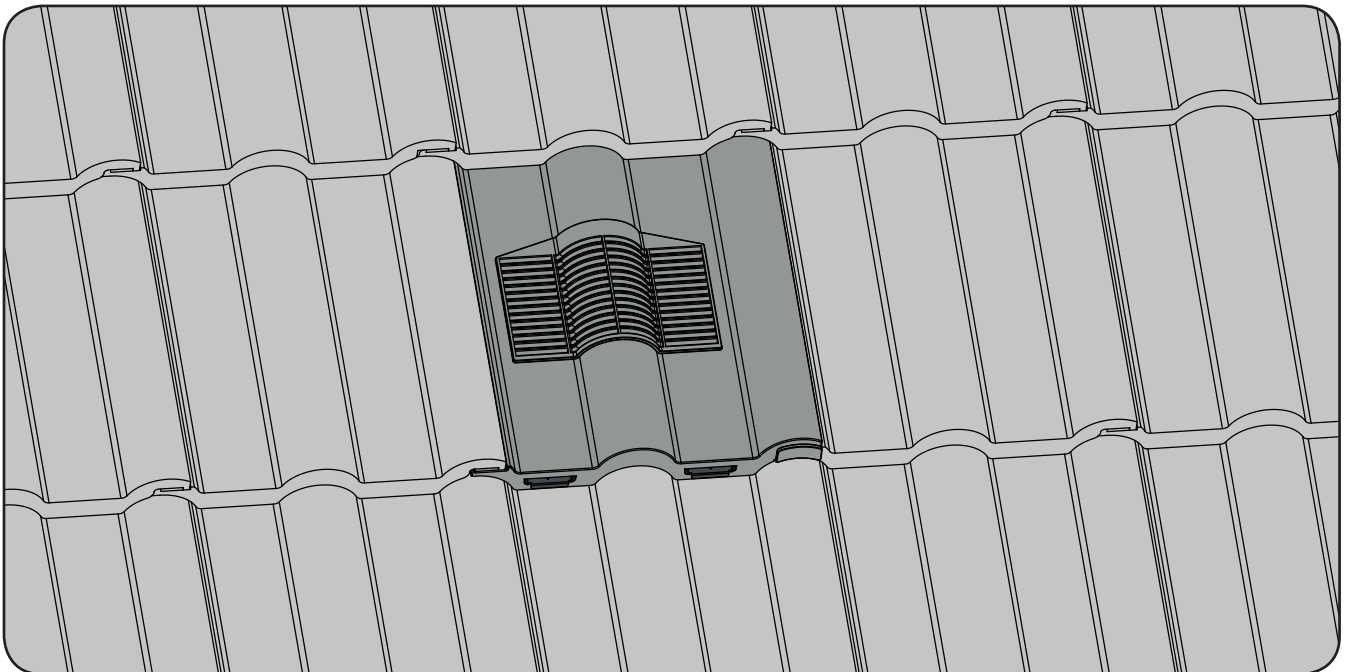
CODE **GTV**

**Features**

- In-line and discreet low profile design.
- 4mm louvred flyscreen grill.
- Integral sidelock clip to ensure secure fit.
- Range of profiles and colours available.
- Profiles suit all top tile manufacturers.
- Fully independently wind tunnel tested.
- Base outlet feeds directly into roof space.
- Adaptor available for mechanical extraction.
- Suitable for use down to a 20° roof pitch.

**Vent Spacings**

To achieve: <b>25,000mm<sup>2</sup>/M</b>	Place vents at <b>400mm</b> centres
To achieve: <b>10,000mm<sup>2</sup>/M</b>	Place vents at <b>1 metre</b> centres
To achieve: <b>5,000mm<sup>2</sup>/M</b>	Place vents at <b>2 metre</b> centres



**Flexi Pipe Adaptor  
GTV-AD**

Available for use with mechanical extraction and vent pipe termination. Connects the tile vents to GRPA Flexi Pipes and other 4" diameter ducting systems

**References**

- BSI: BS 5250:2011 Control of Condensation in Building
- BSI: BS 5534:2014 Code of Practice for Slate and Tiling
- BSI: BS 490:2004 Concrete tiles and fittings for roof covering
- BRE: prEN 15601
- Building Regulations 2010
- NHBC: Good Craftsmanship Guides

MANTHORPE BUILDING PRODUCTS LTD  
MANTHORPE HOUSE  
BRITAIN DRIVE  
CODNOR GATE BUSINESS PARK  
RIPLEY  
DERBYSHIRE DE5 3ND

TEL: 01773 303 000  
FAX: 01773 303 300  
EMAIL:  
mbp.care@manthorpebp.co.uk  
WEB  
www.manthorpebp.co.uk

DRN B.H. Date 19.06.19

The company maintains a policy of continuous development of its product range and reserves the right to amend the specification without notice.

DRG No

**MBP 8292**

Issue

**D**

(2 of 2)